

ACME CO
SALES PRESENTATION AND FORECAST
• Sales Training Video
• Annual Corporate Forecast
Prepared for: John L. Smith,
VP of Sales and Marketing

**ON-DEMAND
DIGITAL PUBLISHING™**

PRODUCER III


RIMAGE™

Hospitals
and imaging centers
trust Rimage disc publishing
systems to deliver potentially
life-saving patient
information

Medical Imaging Ltd
MI

Patient: John Smith
ID:6549843WE4
Date: 0805
Scan: MRI Frontal Lobe



Rimage disc
publishing solutions are
behind the scenes in the
most demanding on-demand
photo, music, business
service and video retail
environments



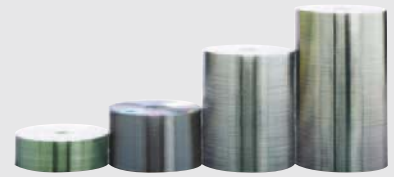
Managing, archiving and distributing the expanding volume of digital content generated every day is a challenge for any size organization. But it also presents a unique opportunity to improve the workflow of digital content and management of information.

On-demand digital publishing™ from Rimage offers a cost-effective and efficient solution to the continuously growing need for secure archiving and distribution of critical data such as video demonstrations, product parts and price lists, corporate reports, engineering drawings and software versions to name a few. Now one solution enables your entire organization to publish customized digital content and high-quality discs automatically, on-demand, as needed.

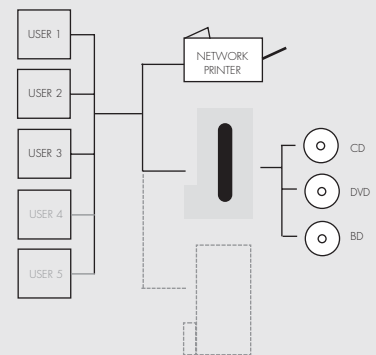
The most powerful and flexible “plug and play” system available.

Connect a Producer III to your network and your entire organization has instant desktop access to a complete disc publishing solution. One disc or a hundred, CD, DVD or BD, full color indelible Everest™ or fast monochrome PrismPlus!™ printing technology — Producer III combines high-speed recording, professional direct-to-disc printing and powerful workflow and production capabilities for unmatched performance and ease of use.

Designed for the most demanding production environments in the world, Producer III can be configured for a wide range of applications. Using the power of Rimage's Application Programming Interface (API), Producer systems can be configured as network devices available to anyone in your company. They can quickly plug into any workflow environment and integrate with any existing application. Whenever you demand publishing performance, Producer III is ready and available.



Unmatched speed. Optimized for the fastest throughput available, **Producer III** combines **exclusive Adaptive Streaming™** technology, **accelerated caching**, **high-speed recorders** and the industry's most **robust robotics**. You can **automatically record and print up to 100 unique discs per hour.***



Network-ready flexibility. **Connect a Producer III to your network and you're ready for high-volume, high-quality digital publishing.** **Producer III can be configured for expanded capacity with the flexibility to seamlessly switch between CD, DVD and BD publishing runs.** **For increased production volume, you can easily add more systems.**

* Depending on data format, content and printing options.

Quantity, quality, customization and control.

Producer III does it all. Simply provide CD/DVD/BD publishing or duplication content and labeling information through the intuitive screen prompts, and Producer III takes care of everything in one complete process. It's as easy to use as a network printer.

Whether you are recording and printing for internal or external purposes – your image matters. You can count on your image being conveyed to your stakeholders clearly and concisely using Rimage's thermal printers - the fastest and best quality printers on the market. From virtually indestructible full-color labels, to quick, one-off monochromatic titles, the Quick Disc wizard-based software provides step-by-step custom disc creation. Disc printing uniformity throughout the company can be hard to manage; the Rimage software allows you to load in pre-designed templates for consistent branding and messaging. Best of all, you control everything from the convenience of your desktop.

Need five discs now and five hundred tomorrow? Customizing production runs is easy. Check CD/DVD/BD job progress with at-a-glance system monitoring including time to job completion, project consumable tracking and job queue status. Users are only prompted as needed or notified via email when their run is completed. On-demand disc publishing doesn't get any easier — or more efficient.

Run with the leader in reliability.

Take a close look inside a Producer III and you'll see it's built for the long run. From Rimage designed robotics to cutting edge printing solutions, Producer III brings together industry-leading technology and nearly three decades of pioneering Rimage disc publishing innovations. Nothing on the market today meets Producer III's performance, versatility or reliability standards.

Whether it's one disc or tens of thousands, leading organizations worldwide depend on Rimage solutions to confidently publish critical digital content. The more data your organization generates, the more you need a Producer III.

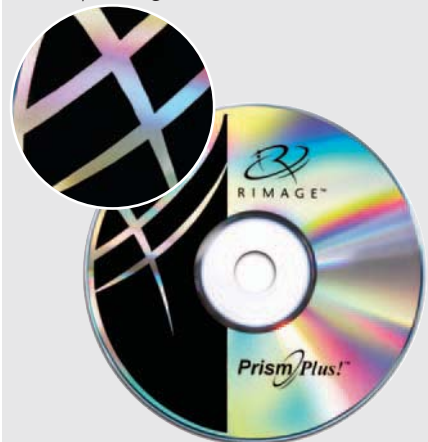
Rimage Everest thermal retransfer printing technology offers the only truly permanent direct-to-disc, high resolution printing solution.



Printing versatility and permanence

Choose from the industry's fastest and most economical quality printing technologies — PrismPlus™ for fast monochrome printing, and Everest™ for indelible, full-color labels. For critical labeling needs, Everest permanently bonds high-resolution printing directly to each disc for a waterproof and virtually indestructible surface.

Rimage PrismPlus! thermal printing is the fastest and most affordable method of direct-to-disc printing.





Save time and money. With network-wide access, on-demand publishing can help improve workflow and data distribution, eliminate unnecessary inventory and reduce the time and cost of outsourcing. Plus, you can create entirely new revenue streams publishing customized content on-demand.



High-performance robotics assure "hands-off" reliability disc after disc.

Complete control. Rimage designed QuickDisc™ software makes job creation and workflow management a snap. The powerful, wizard-based software provides step-by-step disc label design, or you can load in your own templates. With desktop or remote access, you get at-a-glance system status, job progress and prompts as needed — with e-mail notification when your production run is complete.

Guaranteed performance backed by worldwide support.

Rimage software, hardware, discs and consumables are perfectly matched for consistent performance, guaranteed data integrity and superior print quality. Convenient Rimage Media Kits are prepackaged in a range of quantities with matched print ribbons and discs for guaranteed performance and world-wide data accessibility.

Whatever your publishing application, you can count on Rimage for a full range of support and maintenance options. Choose from three levels of Customer Care Services - Software Care, Exchange Care and On-Site Care.

From online upgrades and diagnostics to same day component and system shipping, we're here to help keep you up and running 24/7.

 <p>Producer III : 7000 Series</p> <p>Disc Capacity: 300 disc capacity with four 100-disc bins configurable to input, output, or reject of any supported disc type.</p> <p>Power: 100-240VAC, 4.7-3.7A, 60/50 Hz, 500W maximum</p> <p>Certifications: Emission: FCC Class B</p> <p>Safety: UL, cUL, CE</p> <p>Operating Temperature: 60°F - 86°F (15.5°C - 30°C)</p> <p>Relative Humidity: 40% - 80%</p> <p>Number of Disc Drives: 2</p>	 <p>Producer III : 8000 Series</p> <p>Disc Capacity: 300 disc capacity with four 100-disc bins configurable to input, output, or reject of any supported disc type.</p> <p>Power: 100-240VAC, 4.7-3.7A, 60/50 Hz, 500W maximum</p> <p>Certifications: Emission: FCC Class B</p> <p>Safety: UL, cUL, CE</p> <p>Operating Temperature: 60°F - 86°F (15.5°C - 30°C)</p> <p>Relative Humidity: 40% - 80%</p> <p>Number of Disc Drives: 4</p> <p>External Output Bin</p>
<p>Producer III Networked Attached Model</p> <p>Embedded computer</p> <p>Network Connection: Gigabit Ethernet</p> <p>Physical Size: H 24.625" X W 15.5" (16.1" door) X D 24.75" (62.5cm X 39.4cm (40.9 door) X 62.9cm)</p> <p>Weight: Loader 97lb (44kg) Everest 50lb (22.7kg) Prism 23lb (10.5kg)</p>	<p>Producer III Networked Attached Model</p> <p>Embedded computer</p> <p>Network Connection: Gigabit Ethernet</p> <p>Physical Size: H 28.125" X W 15.5" (16.1" door) X D 24.75" (71.4cm X 39.4cm (40.9 door) X 62.9cm)</p> <p>Weight: Loader 110lb (50kg) Everest 50lb (22.7kg) Prism 23lb (10.5kg)</p>
<p>Producer III Standard Model</p> <p>Physical Size: H 24.625" X W 15.5" (16.1" door) X D 24.75" (62.5cm X 39.4cm (40.9 door) X 62.9cm)</p> <p>Interface: FireWire™ 800 to recorders, USB to Printer/Robotics</p> <p>Weight: Loader 75lb (34kg) Everest 50lb (22.7kg) Prism 23lb (10.5kg)</p>	<p>Producer III Standard Model</p> <p>Physical Size: H 28.125" X W 15.5" (16.1" door) X D 24.75" (71.4cm X 39.4cm (40.9 door) X 62.9cm)</p> <p>Interface: FireWire™ 800 to recorders, USB to Printer/Robotics</p> <p>Weight: Loader 88lb (40kg) Everest 50lb (22.7kg) Prism 23lb (10.5kg)</p>

Rimage Corporation
7725 Washington Avenue South
Minneapolis, Minnesota 55439 USA
Toll Free: 800.445.8288
Tel: 952.944.8144
Fax: 952.944.7808
www.rimage.com

Rimage Europe
Rimage Europe GmbH
Albert-Einstein-Strasse 26
63128 Dietzenbach, Germany
Tel: (49) (0) 6074 8521 0
Fax: (49) (0) 6074 8521 100
www.rimage.de

Distributor Netherlands
Duplidata
Randstad 22 117
1316BW Almere, Netherlands
Tel: +31(0) 36 5215757
Fax: +31(0) 36 5215755
www.duplidata.nl

